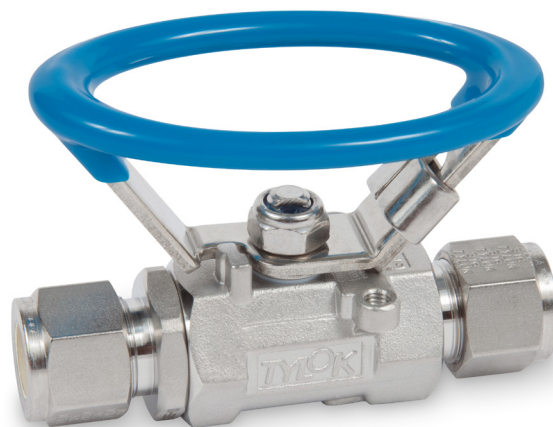


# General Purpose Ball Valves

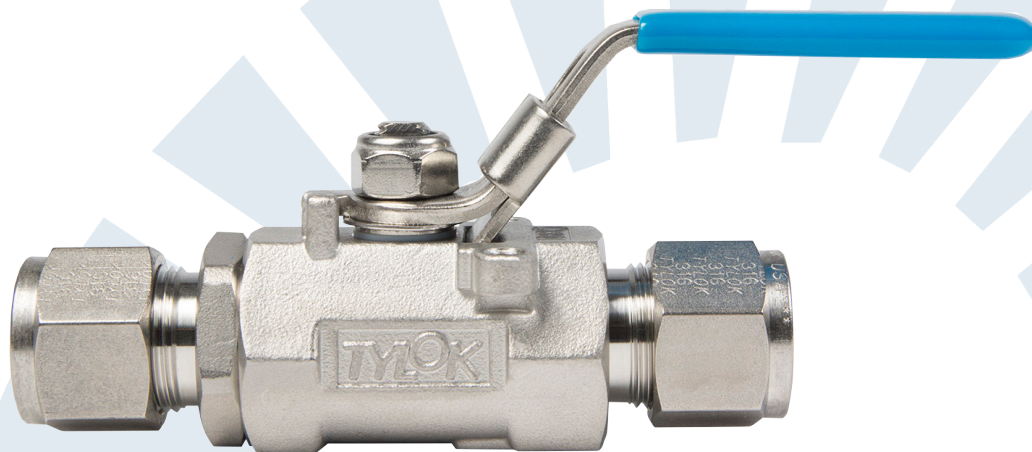
The GP Series Ball Valve is an instrumentation valve solution for tubing & piping systems. It is available from 1/4" to 1" with tube end connections and from 1/4" to 1/2" with female pipe threads for female to female applications.

Tylok General Purpose Ball Valve Series is a moderate pressure ball valve for general service. They are designed for tight shut-off, long service life, and low operating torque.

- 2,000 psig (138 bar) Pressure Rating
- 400°F (204°C) Temperature Rating
- Built-in actuator mounting holes for ease of automation
- Bi-directional flow
- Compact in size but with high flow capacity
- Locking Handle in both On and Off position
- Oval or Butterfly Handles available  
(locking devices not available on butterfly handles)

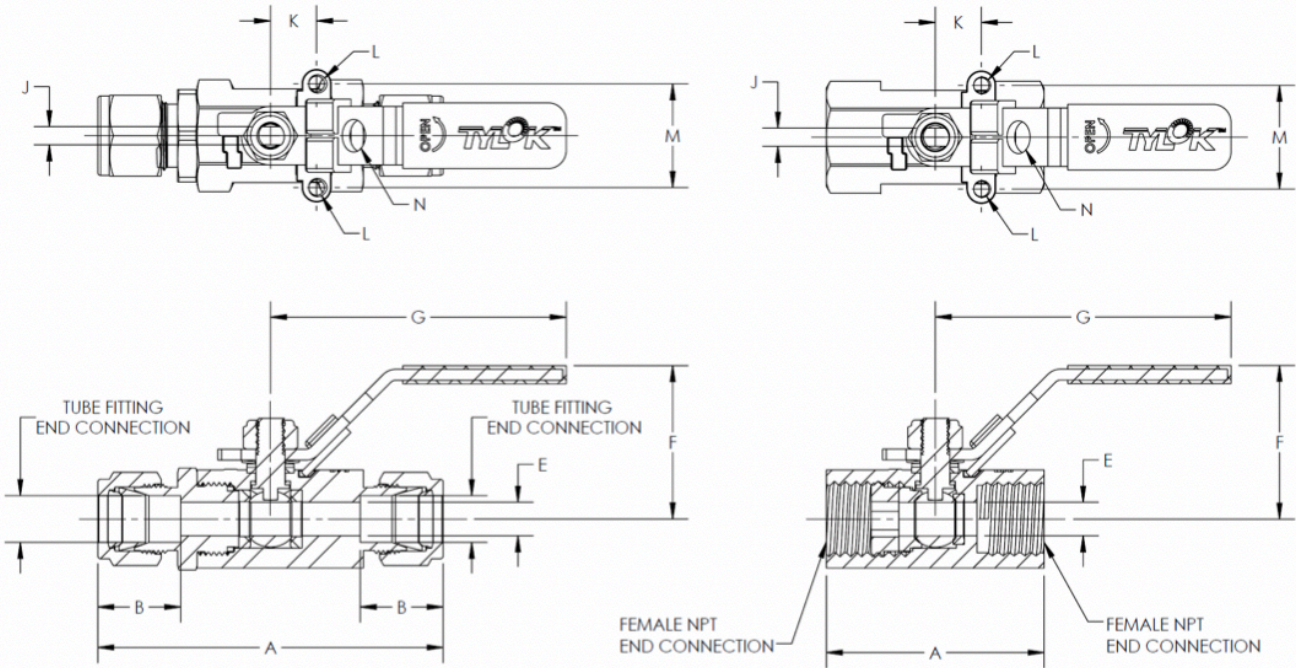


GP Series



## Features

- Blow out Proof Stem
- Stainless Steel Construction
- Locking Handles in On & Off positions
- Mounting Holes Available for Automation
- Material: Stainless Steel Cast CF8M
- Pressure Rating: 2000 psi (138 bar) at 100°F (38°C)
- Temperature Rating: 400°F (204°C) max.
- Seat Material: TFM 1600
- Flow Coefficient (Cv) 1.20 to 17.35
- Size Range 1/4" to 1"
- Integral Tube Fitting (Both Twin [CBC-Lok® & Single [CS-Lok®] Ferrule Designs)
- Female NPT x Female NPT
- 100% factory leak tested with Nitrogen at 1000 psi
- Maximum allowable leak rate is 0.1 std cc/min.



End Connection		Part No.*	Cv	A	B	E Orifice	F	G	J	K	L Thread Size	M	N Lock Hole
Type	Size												
CBC-Lok® Tube Fitting	1/4	SS-GP4-D4D4	1.25	2.95	0.61	0.20	1.38	2.44	0.12	0.50	M5 X 0.8	1.12	5/16" Lock Shackle Diameter
	3/8	SS-GP6-D6D6	2.50	3.15	0.67	0.28	1.46	3.15	0.16				
	1/2	SS-GP8-D8D8	9.25	3.75	0.90	0.36	1.69	3.23	0.20				
	3/4	SS-GP12-D12D12	12.65	4.34	0.96	0.49	1.81	3.74	0.20				
CS-Lok® Tube Fitting	1	SS-GP16-D16D16	17.35	4.91	1.24	0.59	2.05	4.02	0.24	0.87	1.37		
	1/4	SS-GP4-S4S4	1.25	2.95	0.61	0.20	1.38	2.44	0.12	0.50	M5 X 0.8	1.12	
	3/8	SS-GP6-S6S6	2.50	3.15	0.67	0.28	1.46	3.15	0.16				
	1/2	SS-GP8-S8S8	9.25	3.75	0.90	0.36	1.69	3.23	0.20				
3/4	SS-GP12-S12S12	12.65	4.34	0.96	0.49	1.81	3.74	0.20					
Female NPT	1	SS-GP16-S16S16	17.35	4.91	1.24	0.59	2.05	4.02	0.24	0.87	1.37		
	1/4	SS-GP4-F4F4	1.20	1.89	N/A	0.20	1.38	2.44	0.12	0.50	1.12		
	3/8	SS-GP6-F6F6	2.40	2.09		0.28	1.46	3.15	0.16				
1/2	SS-GP8-F8F8	4.27	2.48	0.36		1.69	3.23	0.20					

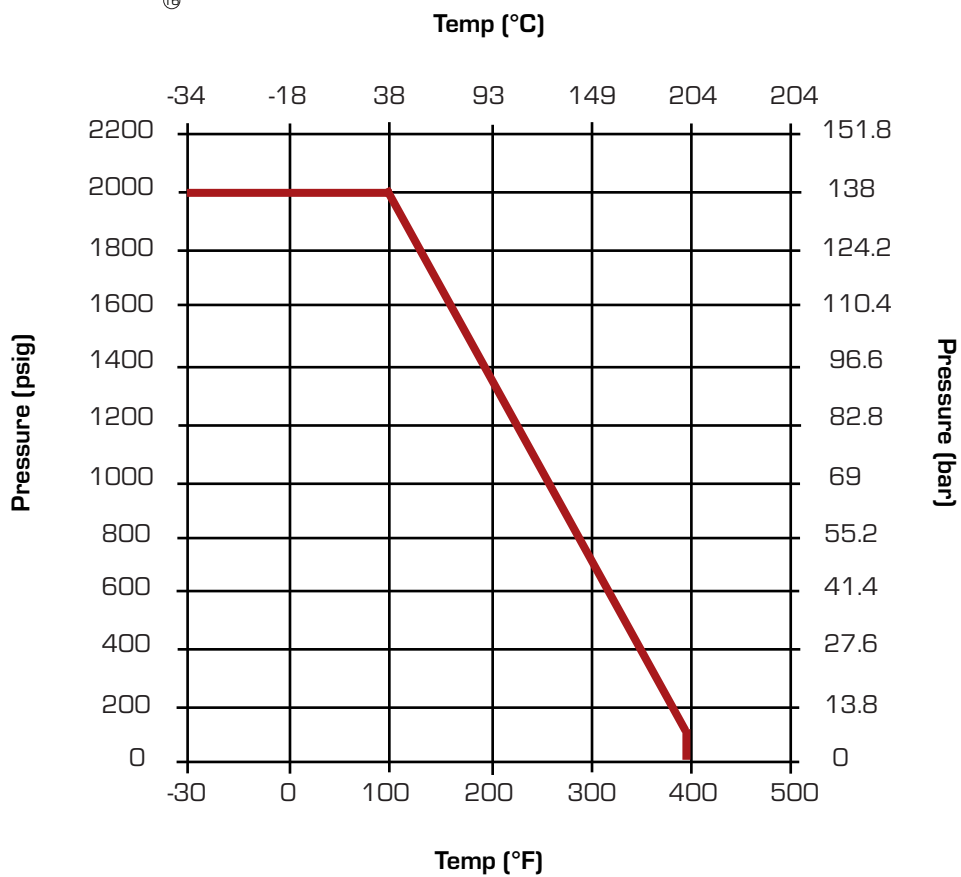
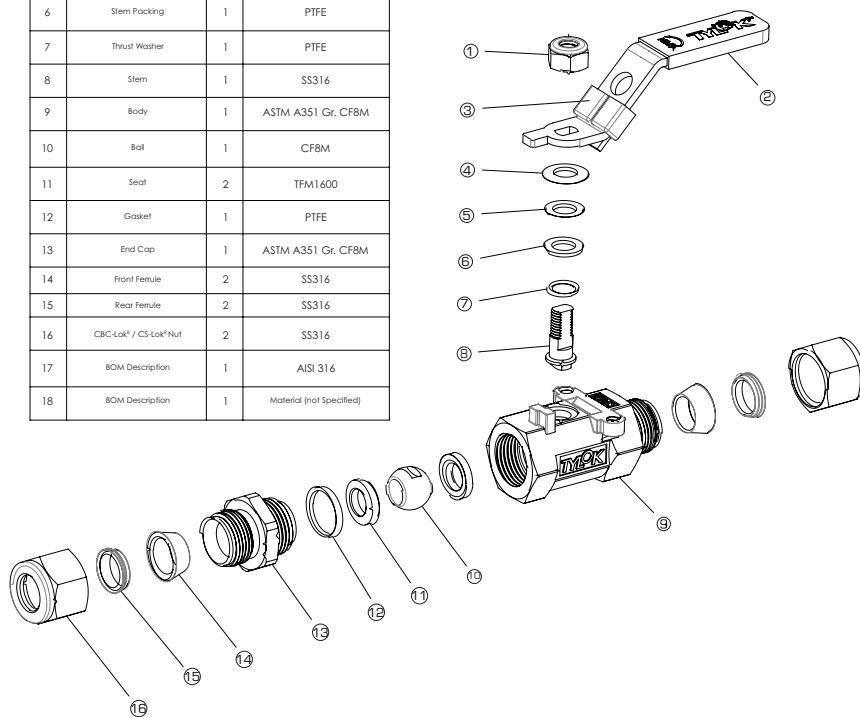
\* For optional handle styles, add the following to the end of the part number:

-OH	Oval Handle with Lock Hole for 5/16" Shackle Diameter
-BH	Butterfly Handle with No Lock Hole
-025	Lever Handle with Lock Hole for 1/4" Shackle Diameter

# General Purpose Ball Valves

GP Series

NO.	DESCRIPTION	QTY.	MATERIAL
1	Hex Lock Nut (with Nylon Insert)	1	SS304
2	Handle	1	SS304
3	Locking Device	1	SS304
4	Belleville Washer	1	SS301
5	Washer	1	SS304
6	Stem Packing	1	PTFE
7	Thrust Washer	1	PTFE
8	Stem	1	SS316
9	Body	1	ASTM A351 Gr. CF8M
10	Ball	1	CF8M
11	Seat	2	TFM1 600
12	Gasket	1	PTFE
13	End Cap	1	ASTM A351 Gr. CF8M
14	Front Ferrule	2	SS316
15	Rear Ferrule	2	SS316
16	CBC-Lok® / CS-Lok® Nut	2	SS316
17	BOM Description	1	AISI 316
18	BOM Description	1	Material (not Specified)



## Handle Options

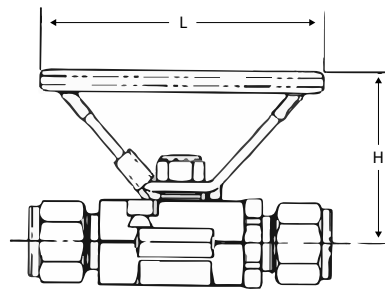
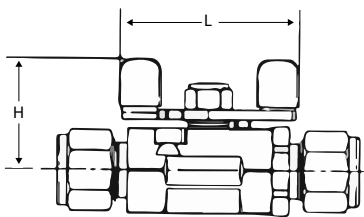
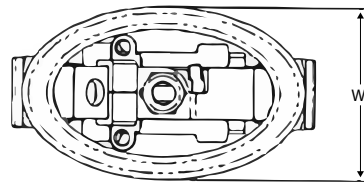
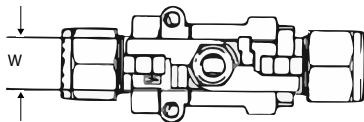
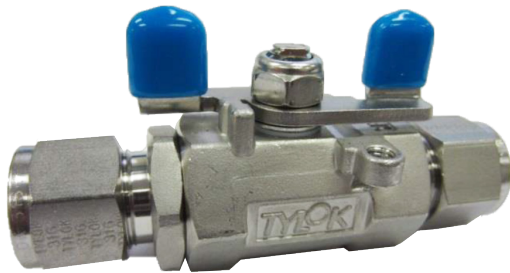
Tylok's GP Series Ball Valves are available with two other handle options:

### Butterfly Handle

For applications where space limits the use of a standard lever handle

### Oval Handle

For applications where lever handles may pose a hazard if mistakenly actuated.



Size	Butterfly Handle			Oval Handle		
	H	L	W	H	L	W
1/4	1.53	3.51	2.14	1.17	2.00	.48
3/8	1.75	3.51	2.14	1.20	2.10	.55
1/2	2.12	3.51	2.14	1.38	2.22	.63
3/4	2.23	3.51	2.14	1.50	2.22	.63
1	2.40	3.51	2.14	2.08	2.81	.79