



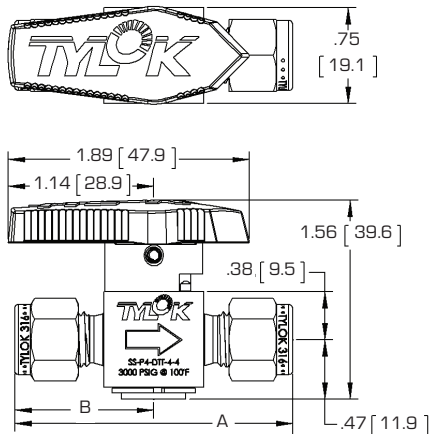
Design & Features:

- Working Pressure up to 3000 psig (206 bar)
- 316 Stainless Steel material
- 1/8 through 3/8 inch sizes
- CBC-Lok® interchanges with Swagelok® & Parker A-Lok®
- CS-Lok® interchanges with Parker CPI®
- Positive leak tight shut off
- Every valve tested for shut off at 1000 psi (41.3 bar)
- Simple design, easy to clean and maintain
 - One piece body construction
 - Replaceable plug assembly
 - O-Ring seal to atmosphere
 - Fast acting, one quarter turn fully actuates the valve
 - Handle direction indicates valve position & flow direction



Dimensions

P4 Series

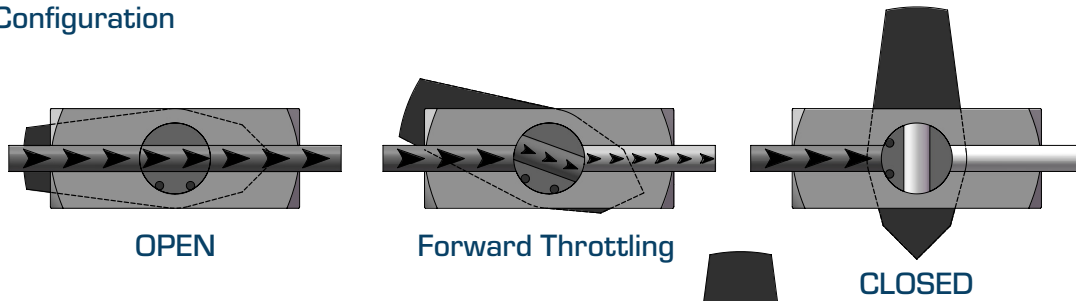


End Connections		Basic Part Number	Swagelok Number	Series	Dimensions, in. (mm)				
Inlet/Outlet	Size				Orifice	A ¹	B ¹		
CBC-Lok® Tube Fitting	1/8"	SS-P4-DTT-2-2	SS-2P4T	P4	0.093 (2.3)	1.99 (50.5)	0.98 (24.9)		
	1/4"	SS-P4-DTT-4-4	SS-4P4T	P4	0.172 (4.4)	2.17 (55.1)	1.08 (27.4)		
	3/8"	SS-P4-DTT-6-6	SS-6P4T	P4	0.172 (4.4)	2.29 (58.2)	1.14 (29.0)		
CS-Lok® Tube Fitting	1/8"	SS-P4-STT-2-2	-	P4	0.093 (2.3)	1.99 (50.5)	0.98 (24.9)		
	1/4"	SS-P4-STT-4-4	-	P4	0.172 (4.4)	2.17 (55.1)	1.08 (27.4)		
	3/8"	SS-P4-STT-6-6	-	P4	0.172 (4.4)	2.29 (58.2)	1.14 (29.0)		
Female NPT	1/8"	SS-P4-1FF-2-2	SS-2P4T4	P4	0.172 (4.4)	1.78 (45.2)	0.89 (22.6)		
	1/4"	SS-P4-1FF-4-4	SS-4P4T4	P4	0.172 (4.4)	2.09 (53.1)	1.05 (26.7)		
Male NPT	1/8"	SS-P4-1MM-2-2	SS-2P4T2	P4	0.172 (4.4)	1.53 (38.9)	0.76 (19.3)		
	1/4"	SS-P4-1MM-4-4	SS-4P4T2	P4	0.172 (4.4)	1.90 (48.3)	0.98 (24.1)		
Male NPT/ CBC-Lok® Tube Fitting	1/4"	SS-P4-DMT-4-4	SS-4P4T1	P4	0.172 (4.4)	2.03 (51.2)	0.95 (24.1)		
Male NPT/ CS-Lok® Tube Fitting	1/4"	SS-P4-SMT-4-4	-	P4	0.172 (4.4)	2.03 (51.2)	0.95 (24.1)		
Male NPT/ Female NPT	1/4"	SS-P4-1MF-4-4	SS-4P4T5		0.172 (4.4)	2.00 (50.8)	0.95 (24.1)		

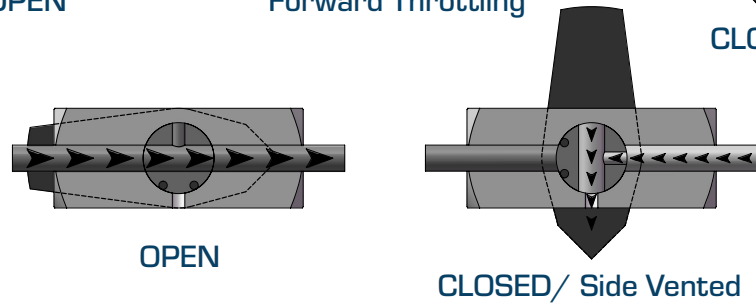
* ¹ Dimensions are shown with tube fitting ends finger-tight and in standard configurations. Dimensions are subject to change.

Flow Considerations

Standard Configuration

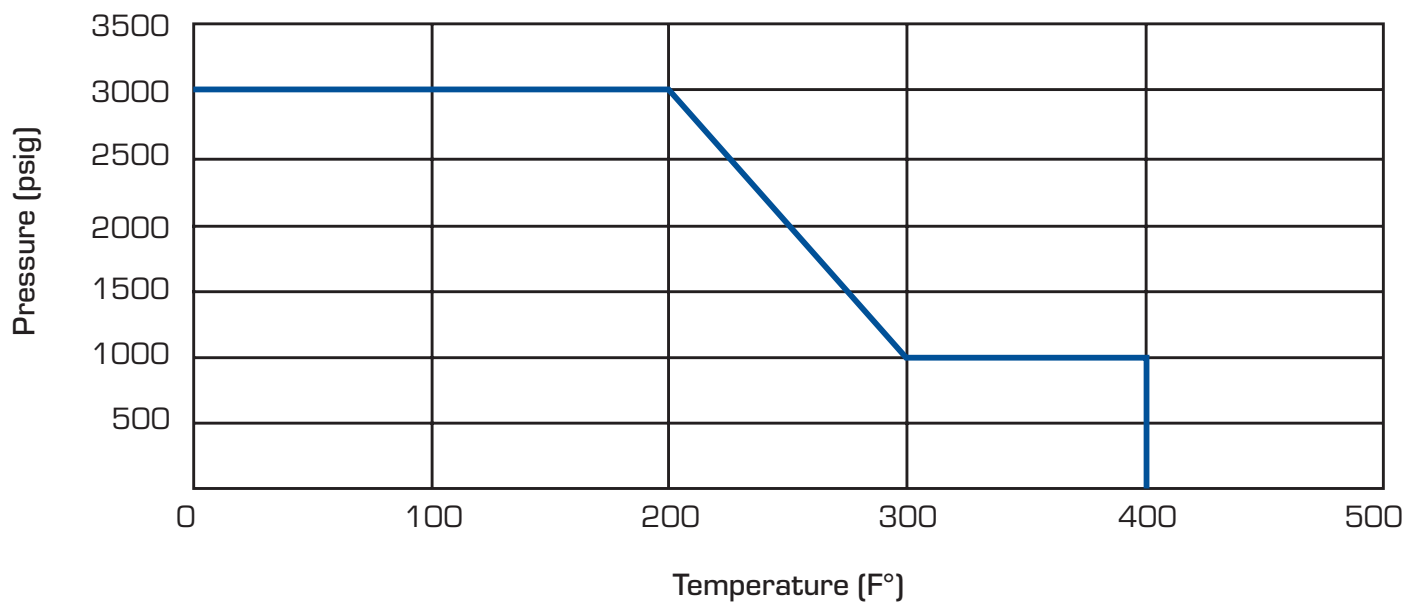


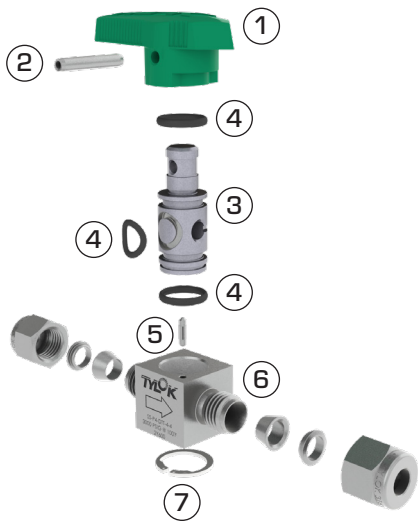
Vented Configuration



Temperature (F°)	Pressure (psig)
0	3000
100	3000
150	3000
200	3000
250	2000
300	1000
350	1000
400	1000
400	0

Pressure - Temperature





Component		Material (Material Grade/ASTM Specification)
1	Handle	Nylon 6/6
2	Pin	316 SS
3	Plug ²	PTFE-coated 316 SS/A479
4	O-ring ²	PTFE-coated Fluorocarbon FKM
5	Pin	316 SS
6	Body ²	316 SS/A479
7	Snap Ring	PH 15-7 Mo [®] SS
8	Lubricant	Perfluoropolyether Based

Plug Valve Options

Downstream Vent

Vented Plug Valves allow downstream pressure to release to atmosphere when the valve is closed. They have a 150 psig (10.3 bar) maximum operating pressure.

Optional O-Ring Materials

Tylok Plug Valves ordinarily come with PTFE-coated Fluorocarbon FKM O-Rings. For a different material, add an O-Ring material designator from Chart 6 to the valve ordering number.

Optional Handle Colors

Tylok Plug Valves ordinarily come with a dark green handle. For a different color, add a handle color designator from Chart 7 to the valve ordering number.

Panel Mount

Contact manufacturer for availability.

SS	-	P4	-	D	-	TT	-	4	-	4	-	TE	-	BK
↓		↓		↓		↓		↓		↓		↓		↓
Material		Valve Series		Style		Inlet/Outlet		Port Size		Port Size		O-Ring Options		Handle Options
Chart 1		Chart 2		Chart 3		Chart 4		Chart 5		Chart 5		Chart 6		Chart 7
												*optional		*optional

Chart 1- Material	
SS	Stainless Steel

Chart 2- Valve Series	
P4	4 Series
P4V	4 Series, Vented

Chart 4- Inlet/Outlet Port		
Type	Port A	Port B
TT	Tube	Tube
MM*	Male NPT	Male NPT
FF*	Female NPT	Female NPT
MF*	Male NPT	Female NPT
MT	Male NPT	Tube

Chart 6- O-Ring Options	
TB	PTFE Coated Buna N
TE	PTFE Coated Ethylene Propylene
TN	PTFE Coated Neoprene

Chart 3- Style	
D	CBC-Lok®
S	CS-Lok®
1	Threaded

Chart 5- Port Size	
2	1/8"
4	1/4"
6	3/8"

Chart 7- Handle Options	
BK	Black
BL	Blue
RD	Red