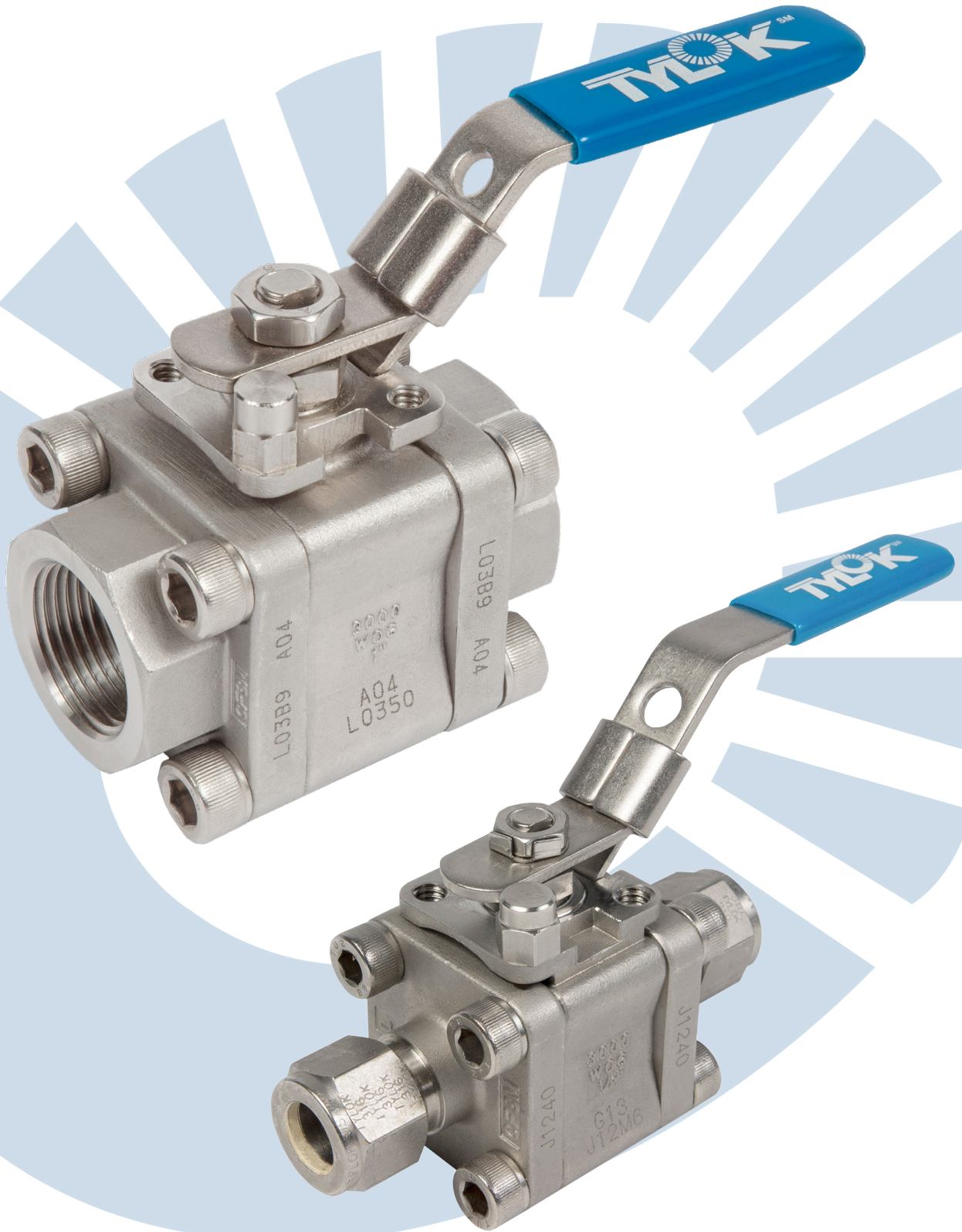


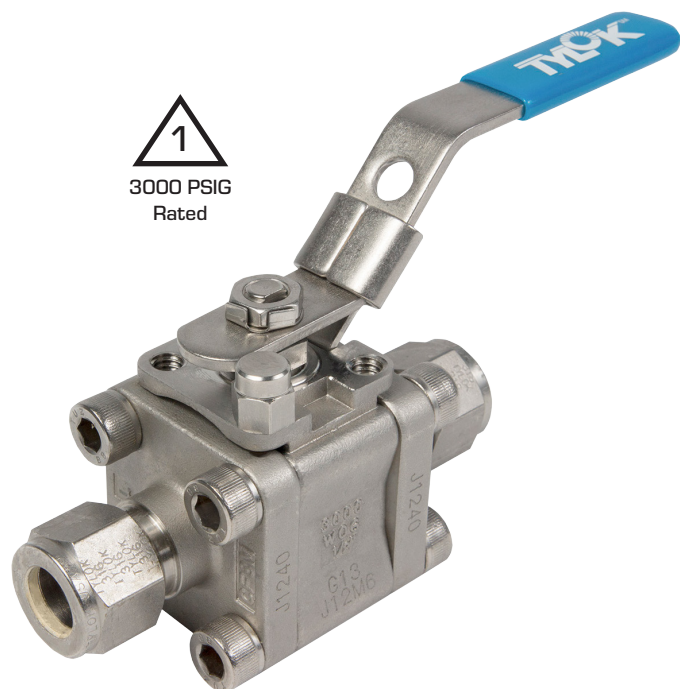
3 Piece Ball Valves



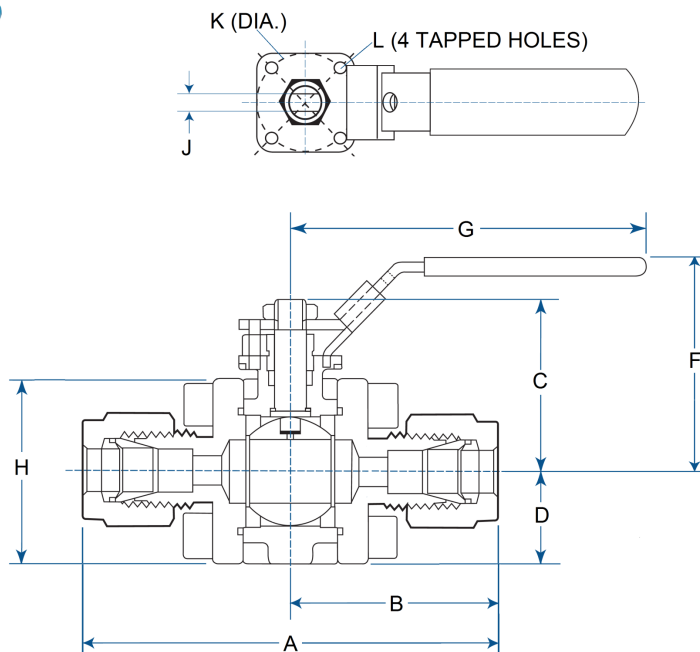
3 Piece Series

3 Piece Ball Valves

3 Piece Series



1
3000 PSIG
Rated



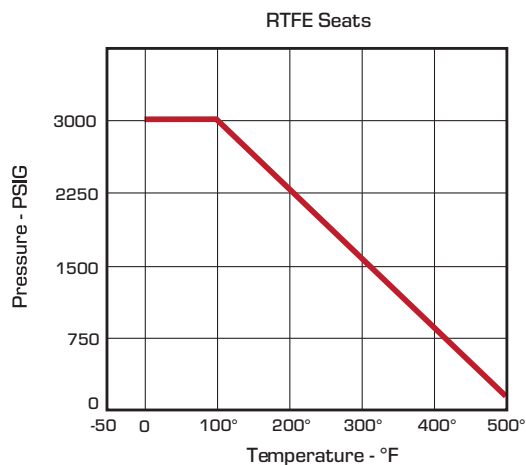
Features

- 3 Piece, 8-Bolt construction
- Fire Safe to API 607 4th Edition & ISO 10497¹
- ISO 5211 4-Bolt actuator mounting pad
- NACE MRO175 Rev 2000 compliant
- Minimum 3.2 to 1 hydrostatic safety factor
- Tube ended valves come standard with -RR (Reinforced PTFE Seats & Seal).

* 1 For Fire Safe ball valves, add -GG (Grafoil packed & Grafoil seals)

Pressure Ratings

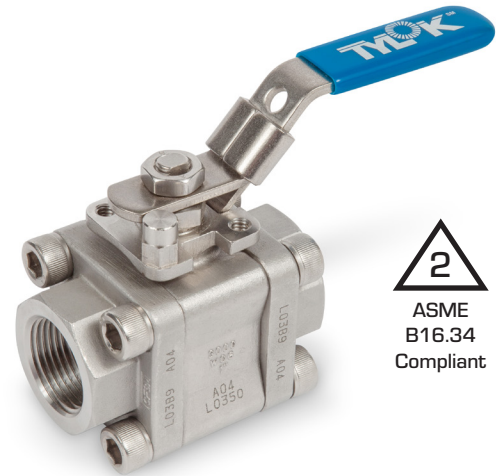
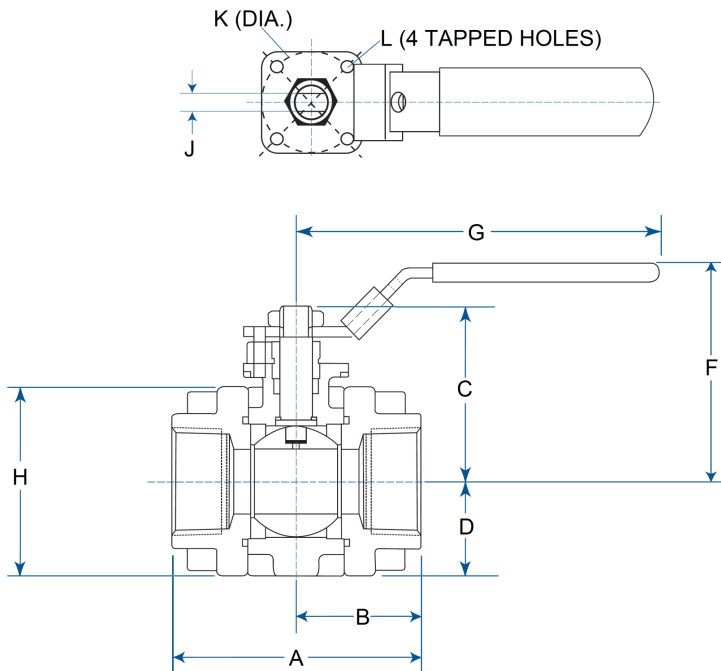
- CF8M with 316SS Trim. 3000 psig at 100°F
- 250 psig Saturated Steam Rating



Part Number	Connection	A	B	C	D	F	G	H	Orifice	Cv	J	K	L	Cycle Torque	
														PTFE Seats (in-lbs.)	PEEK Seats (in-lbs.)
4-5TT-4	1/4" CBC-LOK	3.19	1.60	1.71	0.9	2.5	4.0	1.8	0.19	1.2	0.20	1.42	1/4"20 /UNC	100	130
4-5ZZ-4	1/4" CS-LOK														
6-5TT-6	3/8" CBC-LOK	3.19	1.60	1.71	0.9	2.5	4.0	1.8	0.28	3.8				100	130
6-5ZZ-6	3/8" CS-LOK														
8-5TT-8	1/2" CBC-LOK	4.04	2.02	1.71	0.9	2.5	4.0	1.8	0.41	7.5				100	130
8-5ZZ-8	1/2" CS-LOK														
12-5TT-12	3/4" CBC-LOK	4.04	2.02	1.83	1.1	2.6	4.0	2.1	0.57	18.0				200	250
12-5ZZ-12	3/4" CS-LOK														
16-5TT-16	1" CBC-LOK	5.36	2.68	2.34	1.2	3.0	4.8	2.4	0.81	40.0	0.28	1.65	230	300	
16-5ZZ-16	1" CS-LOK														

3 Piece Ball Valves

3 Piece Series



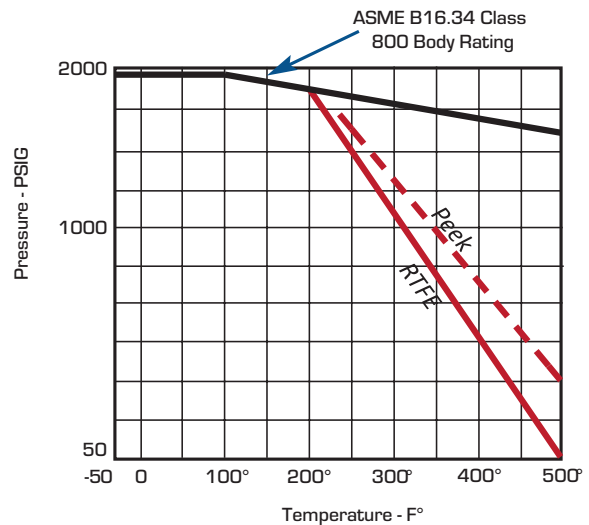
2
ASME
B16.34
Compliant

Features

- 3 Piece, 8-Bolt construction
- ASME B16.34, Class 800 Compliant
- Fire Safe to API 607 4th Edition & ISO 10497
- ISO 5211 4-Bolt mounting
- NACE MR0175 Rev 2000 compliant
- Pipe ended valves come standard with -RG (Reinforced PTFE Seats & Seals).

Pressure Ratings

- CF8M with 316SS Trim. 1920 psig at 100°F
- 250 psig Saturated Steam Rating

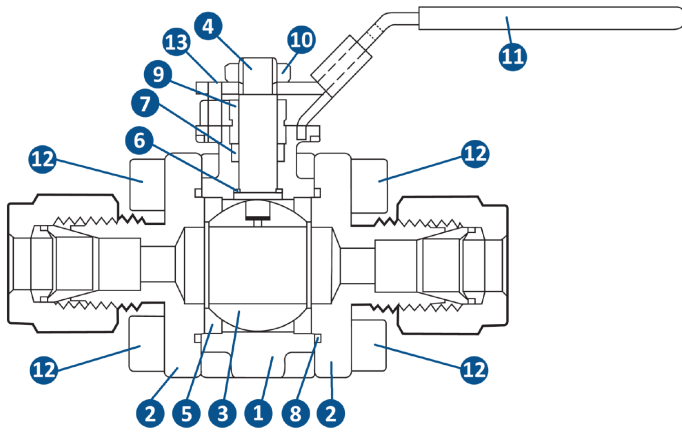


Cycle Torque

Part Number	Port Type	Connection	A	B	C	D	F	G	H	Orifice	Cv	J	K	L	PTFE Seats (in-lbs.)	PEEK Seats (in-lbs.)
4-5FF-4	Full	1/4" Female NPT	2.70	1.35	1.71	0.9	2.5	4.0	1.8	0.43	10.0	0.20	1.42	1/4"-20 UNC	100	130
6-5FF-6	Full	3/8" Female NPT														
8-5FF-8	Reduced	1/2" Female NPT	2.70	1.35	1.71	0.9	2.5	4.0	1.8	0.43	10.0	0.20	1.42		100	130
	Full (-L)		2.80	1.40	1.83	1.1	2.6	4.0	2.1	0.57	16.0	0.20	1.42		200	250
12-5FF-12	Reduced	3/4" Female NPT	3.00	1.50	1.83	1.1	2.6	4.0	2.1	0.57	25.0	0.20	1.42		200	250
	Full (-L)		3.20	1.60	2.34	1.2	3.0	4.8	2.4	0.81	40.0	0.28	1.65		230	300
16-5FF-16	Reduced	1" Female NPT	3.50	1.75	2.34	1.2	3.0	4.8	2.4	0.81	42.0	0.28	1.65		230	300
	Full (-L)		3.80	1.90	2.69	-	3.4	5.8	-	1.00	62.0	0.32	1.65		250	-

3 Piece Ball Valves

3 Piece Series



Materials of Construction (STD)			
Part	Quantity	Description	Standard Material
1	1	Body	CF8M Stainless Steel
2	2	Tailpiece	CF3M Stainless Steel
3	1	Ball	316 or CF8M Stainless Steel
4	1	Stem	316 or CF8M Stainless Steel
5	2	Seat	Peek or Reinforced PTFE
6	1	Thrust Washer	Reinforced PTFE
7	1	Packing Set	Graphite or Reinforced PTFE
8	2	Body Seal	Graphite or Reinforced PTFE
9	1	Packing Nut	316 Stainless Steel
10	1	Handle Nut	304 Stainless Steel
11	1	Handle Assy	304 Stainless Steel
12	8	Body Bolt	Stainless Steel
13	1	Handle Stop	304 Stainless Steel

3 Piece Ball Valves are ordered as listed in this catalog by inserting the material code before the part number. The standard Ball & Stem are in Stainless Steel unless otherwise requested. Full Port is only available in NPT configurations and Special cleaning and packaging is available. Contact authorized Tylok Representative for more information.

Example: A Stainless Steel, 1/2" Inlet to 1/2" Outlet, 3 Piece Ball Valve, with CBC-Lok Instrumentation Tube Ends, Reinforced PTFE Seats & Seals, with the following option: ASME B16.34 compliant is designated as follows:

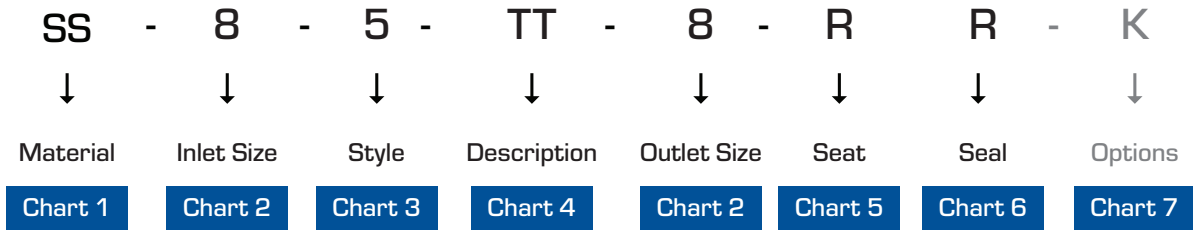


Chart 1- Material	
SS	Stainless Steel

Chart 2- Valve Series	
Designator	Valve Size
4	1/4"
6	3/8"
8	1/2"
12	3/4"
16	1"

Chart 3- Style	
5	3 Piece Ball Valve, 2 way, Bi-Directional flow

Chart 4- Description		
Code	End Description	Size Range
EE	Extended Butt Weld (Schedule 80)	1/4"-1"
FF	Female NPT	1/4"-4"
II	Pipe Socket Weld	1/2"-1"
TT	Instrumentation Tube End (CBC-Lok®)	1/4"-1"
XX	Extended Pipe Socket Weld	1/2"-4"
ZZ	Instrumentation Tube End (CS-Lok®)	1/4"-1"

Chart 5- Seat	
R	Reinforced PTFE
P	PEEK

Chart 6- Seal	
G	Graphite
R	Reinforced PTFE

Chart 7- Options	
I	Oval Handle
K	ASME B.16.34 Compliant
L	* Full Port

* Tube ended valves come standard with -RR (Reinforced PTFE Seats & Seal). Pipe ended valves come standard with -RG (Reinforced PTFE Seats & Graphite Seals).